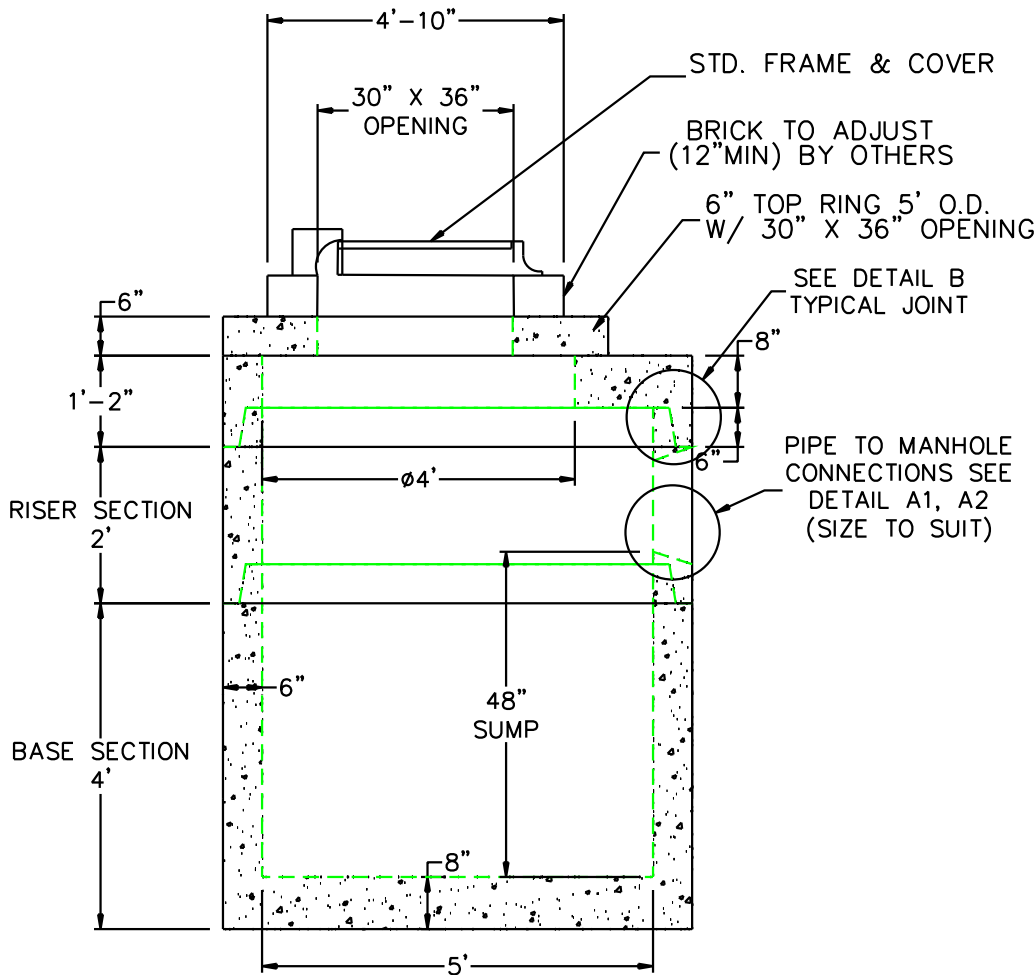


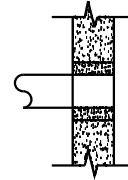
# WORCESTER STANDARD CATCHBASIN

SLAB TOP STEEL REINFORCED TO MEET OR EXCEED REQUIRMENTS OF H-20 LOADING



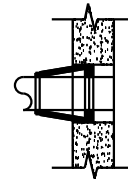
A1

MORTAR BY CONTRACTOR



A2

FLEXIBLE SLEEVE



B

BUTYL RUBBER SECTION JOINT



	FLOOR	VERT. FT	FLAT TOP
WEIGHT	1,530 lbs.	1,300 lbs.	2,840 lbs.
VOLUME		146.8 gal.	

## DESIGN NOTES:

1. MANUFACTURED TO MEET OR EXCEED: ASTM C-478 & AASHTO M 199 SPECS.
2. CONCRETE = 4,000 PSI. MINIMUM CEMENT PER ASTM C-478 (6.1)
3. REINFORCED STEEL COMFORMS TO LATEST ASTM A 185 SPECIFICATIONS.  
0.15 SQ. IN / LINEAL FT. AND 0.15 SQ. IN (BOTH WAYS) BASE BOTTOM
4. STEEL REINFORCEMENT TO MEET OR EXCEED AASHTO HS-20 LOADING
5. BUTYL RUBBER JOINT SEALANT PER ASTM C-990 & ASHTO M-198
6. ONE POUR MONOLITHIC BASE
7. EXTERIOR BITUMINOUS COATING AS REQUIRED



SCITUATE RAY PRECAST  
120 CLAY PIT ROAD  
MARSHFIELD, MA 02050  
PHONE # 1-800-440-0009  
FAX # 781-837-4320

CONTRACTOR:

JOB NAME:

DATE:

DRAWING: SRP-CB5W

DRAWING BY: C.J. SCOTT

