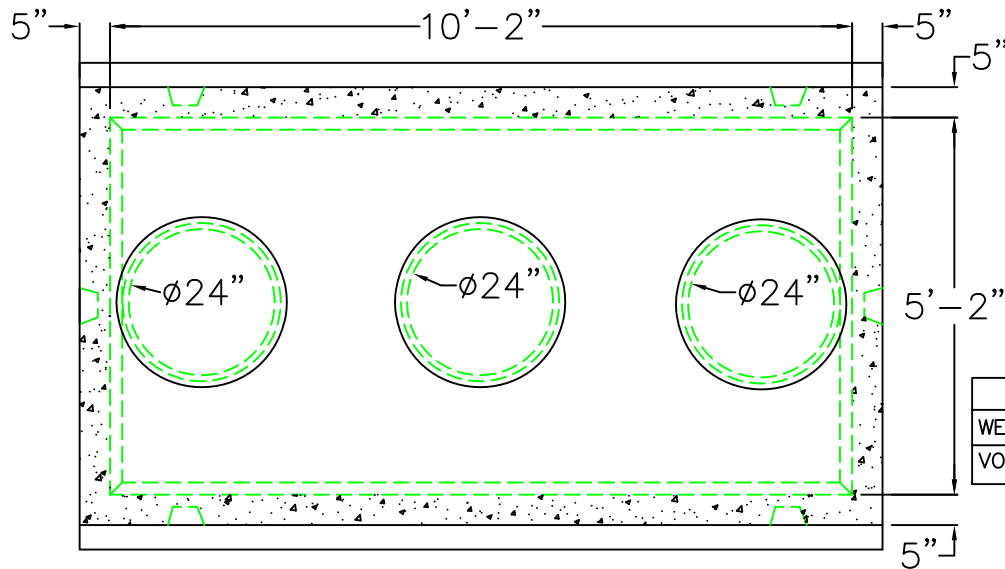
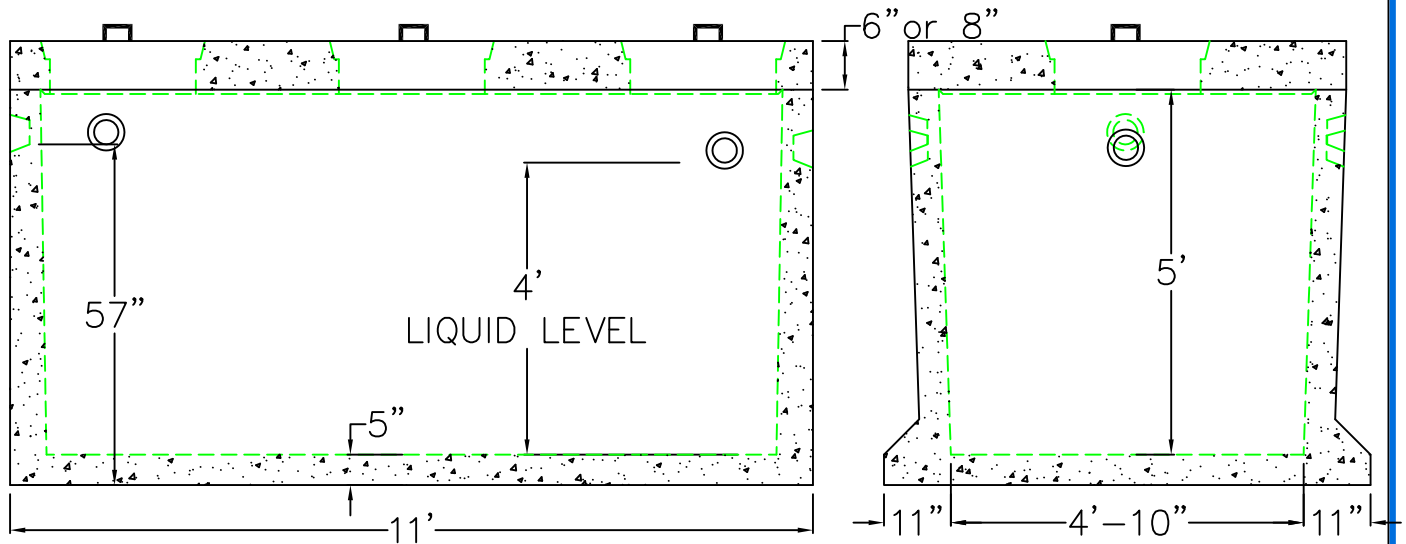


# 1,500 GALLON H-20 EXTENDED BASE MONOLITHIC



	FLOOR	VERT. FT	FLAT TOP
WEIGHT	4,400 lbs.	2,100 lbs.	4,900 lbs.
VOLUME		393 gal.	



## DESIGN NOTES:

1. CONCRETE 5,000 PSI. @ 28 DAYS
2. HS-20-44 LOADING WITH 12" TO 60" OF COVER
3. REINFORCING ASTM A-615 GRADE 60
4. CONST. JOINT TO HAVE MIN. 1" BUTYL SEALANT



**NPCA**

Precast ... The Concrete Solution.



SCITUATE RAY PRECAST  
120 CLAY PIT ROAD  
MARSHFIELD, MA 02050  
PHONE # 1-800-440-0009  
FAX # 781-837-4320

CONTRACTOR:

JOB NAME:

DATE:

DRAWING: ST-1.5KMEB-20

DRAWING BY: C. J. SCOTT

[WWW.SCITUATECOMPANIES.COM](http://WWW.SCITUATECOMPANIES.COM)