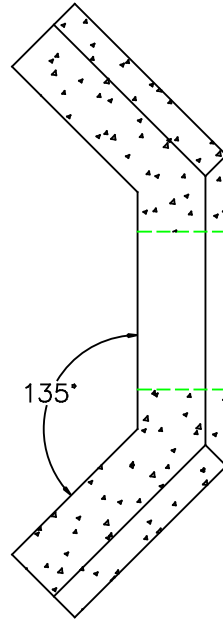
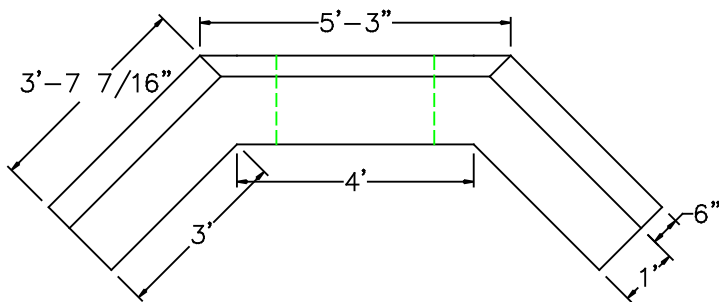
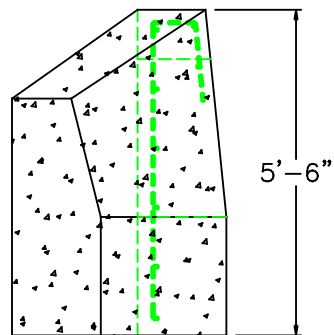
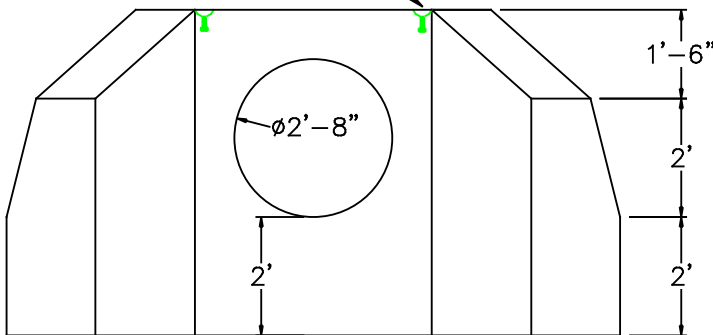


# 24" RCP WINGWALL



(P-52 SL SWIFT LIFT ANCHOR)



**DESIGN NOTES:**

1. CONCRETE 5,000 PSI @ 28 DAYS
2. REINFORCEMENT ASTM A-615 GRADE 60, 2" MIN. COVER #5 REBAR 12" OCBW
4. UNIT WEIGHT 10,320 lbs.



**NPCA**

**Precast ... The Concrete Solution.**

		SCITUATE RAY PRECAST 120 CLAY PIT ROAD MARSHFIELD, MA 02050 PHONE # 1-800-440-0009 FAX # 781-837-4320			
		CONTRACTOR:		JOB NAME:	
DATE:		DRAWING: SRP-WW24		DRAWING BY: C. J. SCOTT	