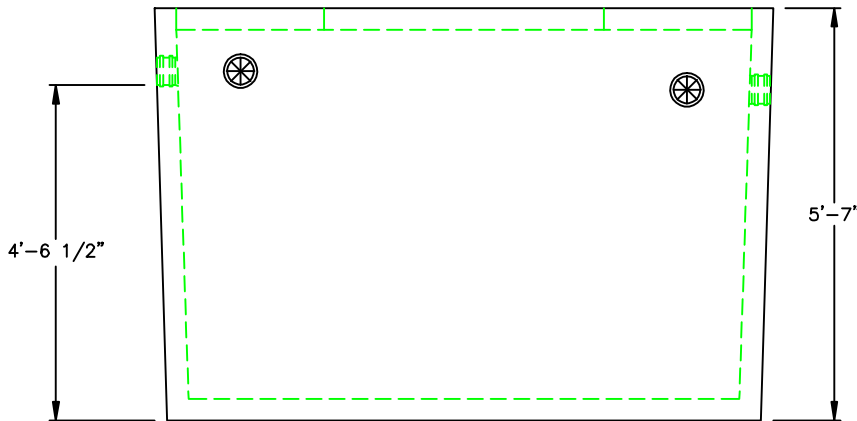
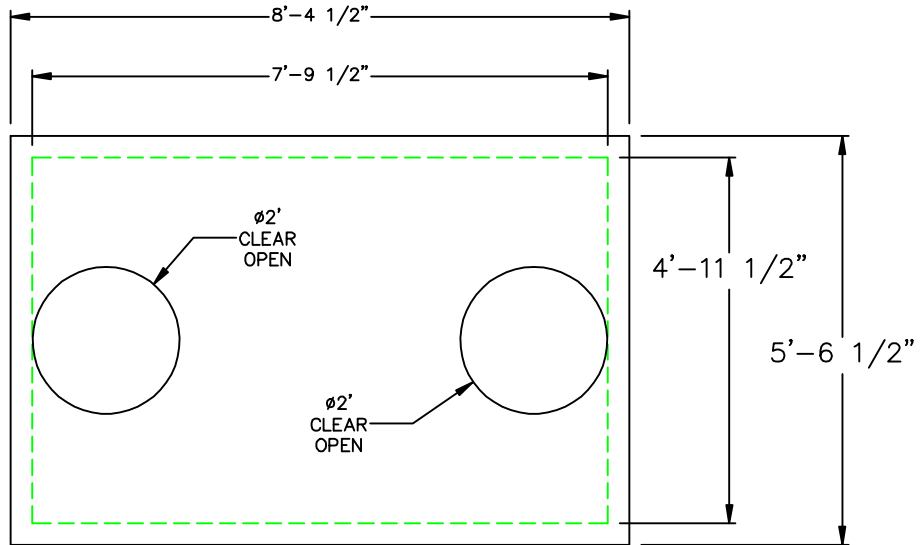


# PEMBROKE 1,000 MONO H-10 RESIDENTIAL



SCITUATE RAY PRECAST  
120 CLAY PIT ROAD  
MARSHFIELD, MA 02050  
PHONE # 1-800-440-0009  
FAX # 781-837-4320

CONTRACTOR:  
SCITUATE COMPANIES

JOB NAME:  
77 POND STREET

DATE: 4/20/2018

APPROVED BY:

DRAWING BY: JOHN KASPER